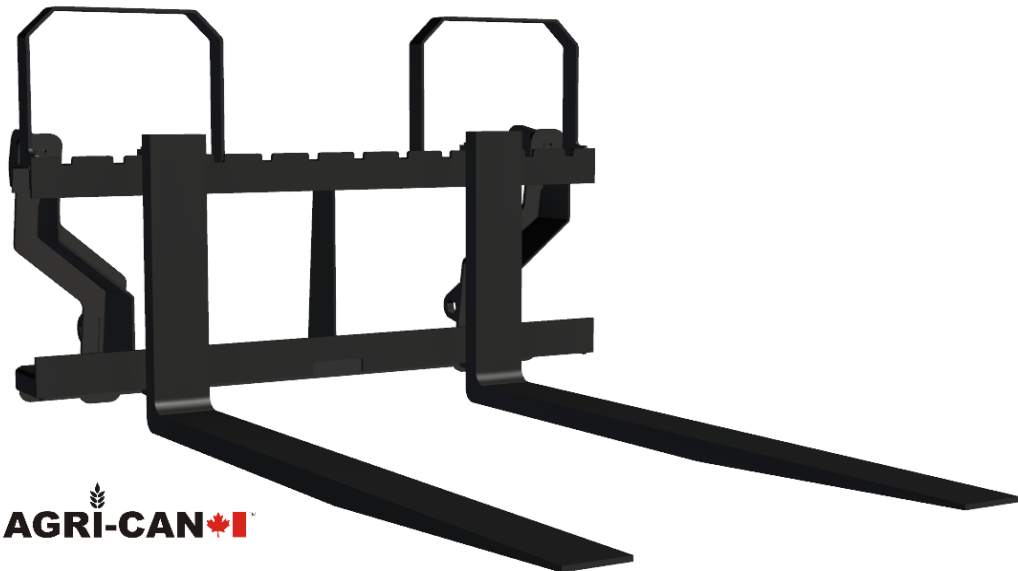




PALLET FORKS ALO

ITEM : AC4200ALO



USER'S MANUAL

INDEX

Product information	1
Introduction	2
Installation	3
Configuration	4
Safety	5
Spare Parts	6
Notes	7

PRODUCT INFORMATION

Retailer / Store _____

Sales Representative _____

Telephone _____

Serial Number _____

Purchase date _____

INTRODUCTION

Congratulations on the purchase of your Agri-Can set of pallet forks. You will be delighted by the versatility offered by this quality product.

In the following pages, we will present the information and instructions for your model. There, you will find the assembly instructions and the usage of the different parts. Do not forget to follow all safety instructions to use your product in a safe way for yourself and others.

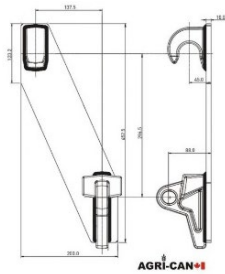
Take advantage of all the advantages that your product offers and if you need further information, assistance or advice, we are here for you! Contacting us is easy via:

- E-mail: info@agri-can.com
- Phone: 1-888-997-2624
- Website live chat
- Messenger and Instagram

On behalf of everyone at Agri-Can, we thank you for your trust in us. We are convinced that this guide will be of use to you, but that your purchase will be even more!

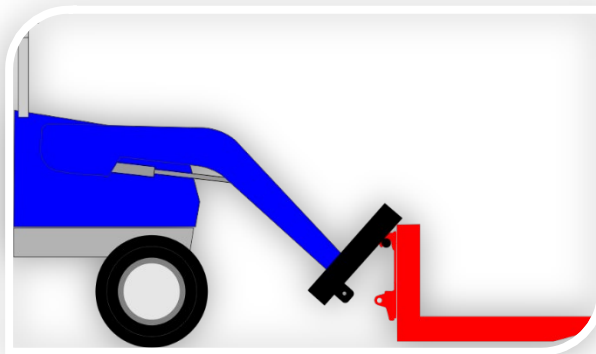
Enjoy!

INSTALLATION



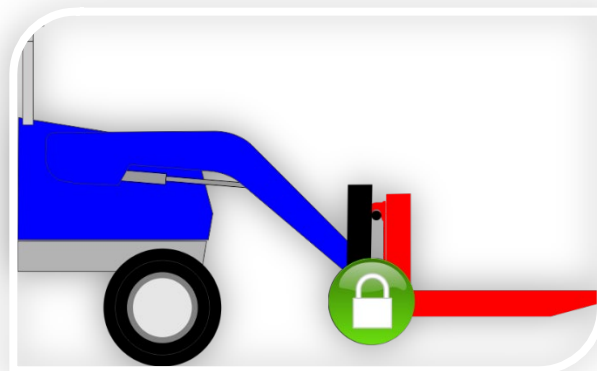
Like all ALO-type accessories, installation is very simple. The fastener is composed of 2 hooks on the top and 2 eyelets on the bottom. Make sure that the components of the tractor and the set of forks and picks are clean and free of mud, stone, branches, and the like. This could harm the good operation of the equipment and may be dangerous.

STEP-BY-STEP



With your tractor, tip the connection harness toward the ground (As if you were emptying a bucket). Lower the loader and bring the tractor harness against your ALO implement.

Then slowly raise the loader so that the hooks come into place. Once the hooks are in place, flip the loader harness backwards, as if to fill in a bucket. ALO fasteners will lean firmly on the tractor harness. Ensure that the ALO fasteners and the harness are completely leaning against each other and that nothing is between the two. Then engage the latches on the tractor harness to lock your ALO implement in place.



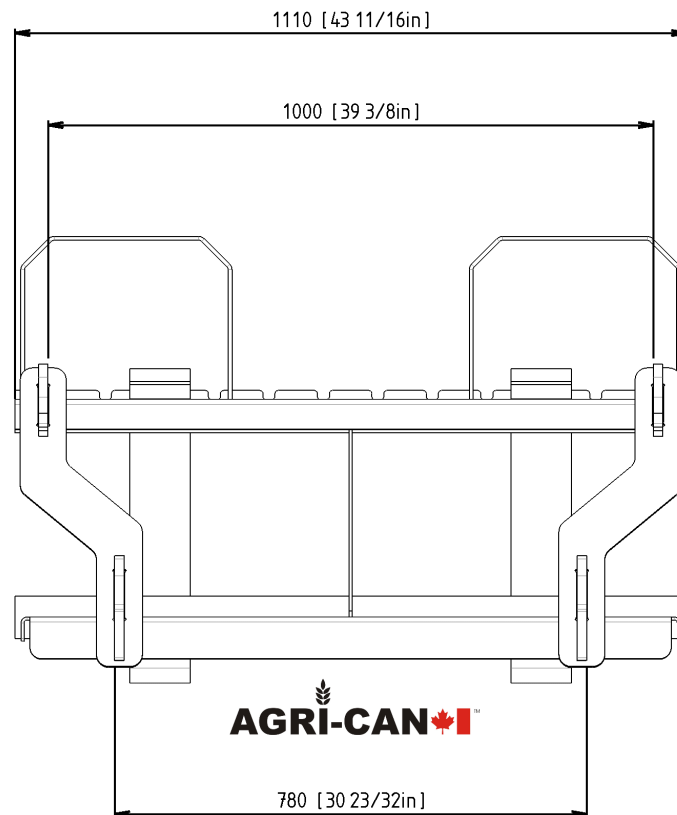
CONFIGURATION

Your set of forks comes with 2 pallet forks. The main harness includes space for the 2 forks.



It is important to understand the operation and limits of the various components of the implement. Your safety is a priority! Take the time to properly attach the various parts before use. No tools are required to change forks width.

Transport pallets



Forks are locked in place with a locking system

SAFETY

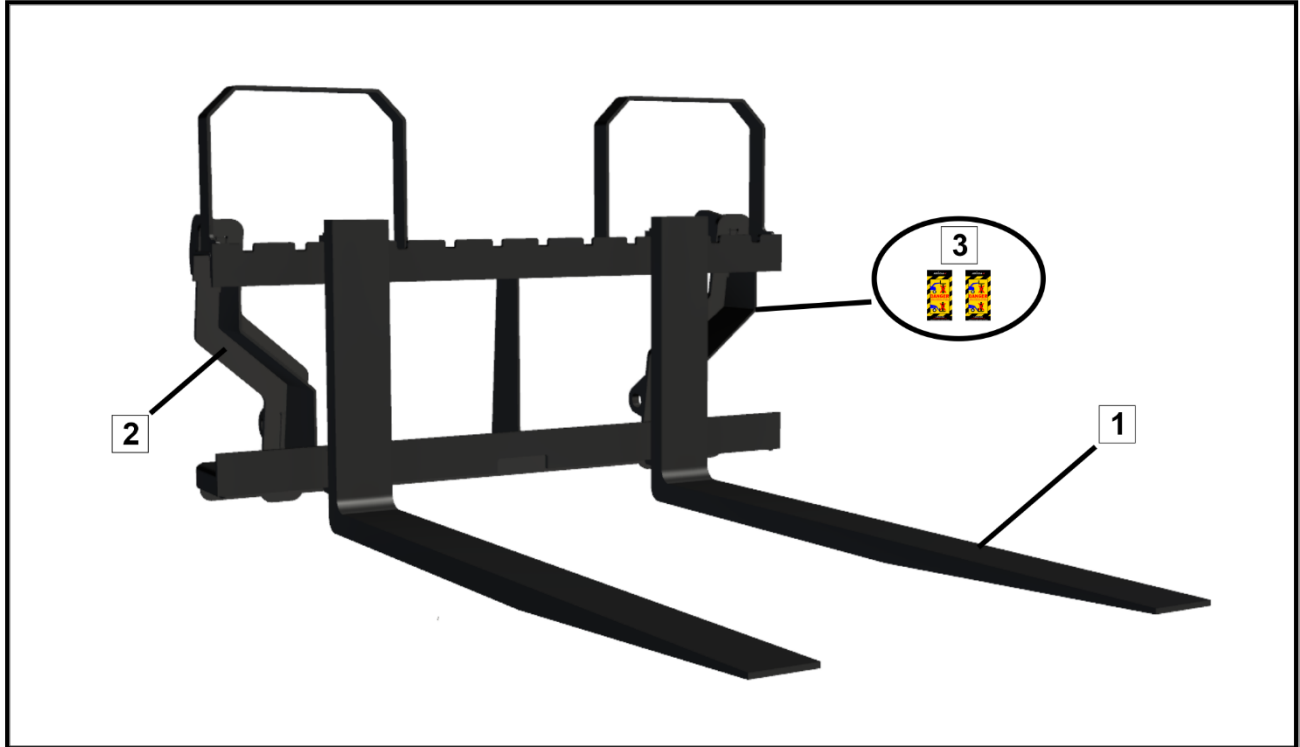


Your safety is important. Don't take risks with heavy equipment. Your life and that of the people around you depend on it. Here are the basic safety rules for this type of equipment.

- Ensure the harness is securely locked in place on the tractor when installing;
- Ensure that the forks are properly attached to the top and bottom rails and that the safety lock on the top is engaged;
- Wear safety boots when operating machinery;
- NEVER step or stand under the pallet fork and hay spears assembly.
- ALWAYS maintain a safe distance with the machinery;
- The operator is responsible for the safety of people and property around him. Be alert to your surroundings;
- Never exceed the limits indicated on the label bearing the serial number;
- Enter pallet forks fully under the load and that at least 2/3 of its length is supported;
- Raise the load vertically until it no longer touches the ground, then tilt it backward;
- Ensure that the load does not catch into neighboring loads or any other objects;
- Do not raise or lower the forks before fully stopping the tractor and applying the handbrake;
- Tilt the load backwards;
- Ride with the forks as close to the ground as possible with the harness angled backward (usually 10 to 15 cm (4 to 6 in.) above ground).
- Avoid sudden stops;
- Ensure there is sufficient headroom before entering or leaving a space, and lifting the forks or spears;
- Do not lift the load when the tractor is on an inclined terrain;
- Never transport anyone on the implement, forks, harness;

SPARE PARTS

To order spare parts, please visit our website at www.agri-can.com and enter the part number, serial number or model.



#	Part #	Qty	Description
1	ACFP48	2	48" Pallet Forks (Capacity 4200 lbs)
2	AC2101	1	ALO Quick Attach Set (1 LH – 1 RH)
3	AC4200ST	1	Safety Stickers (2)

Warning

While Agri-Can® strives to ensure the information is accurate, current and complete, we cannot warrant, declare or promise that the information provided is valid, accurate or current. Agri-Can® shall not be liable for any loss or claim which may arise directly or indirectly from the use of this information.

Agri-Can® assumes no liability in connection with the operation of equipment or damages or injuries that may result. The operator is solely responsible for the safety and good operation of implement and its various configurations.

If you have any questions about these warnings, do not hesitate to contact us at 1-888-997-2624 or by email at info@agri-can.com

Manual AC4200ALO
Version 0423
Agri-Can®
© All rights reserved 2023

