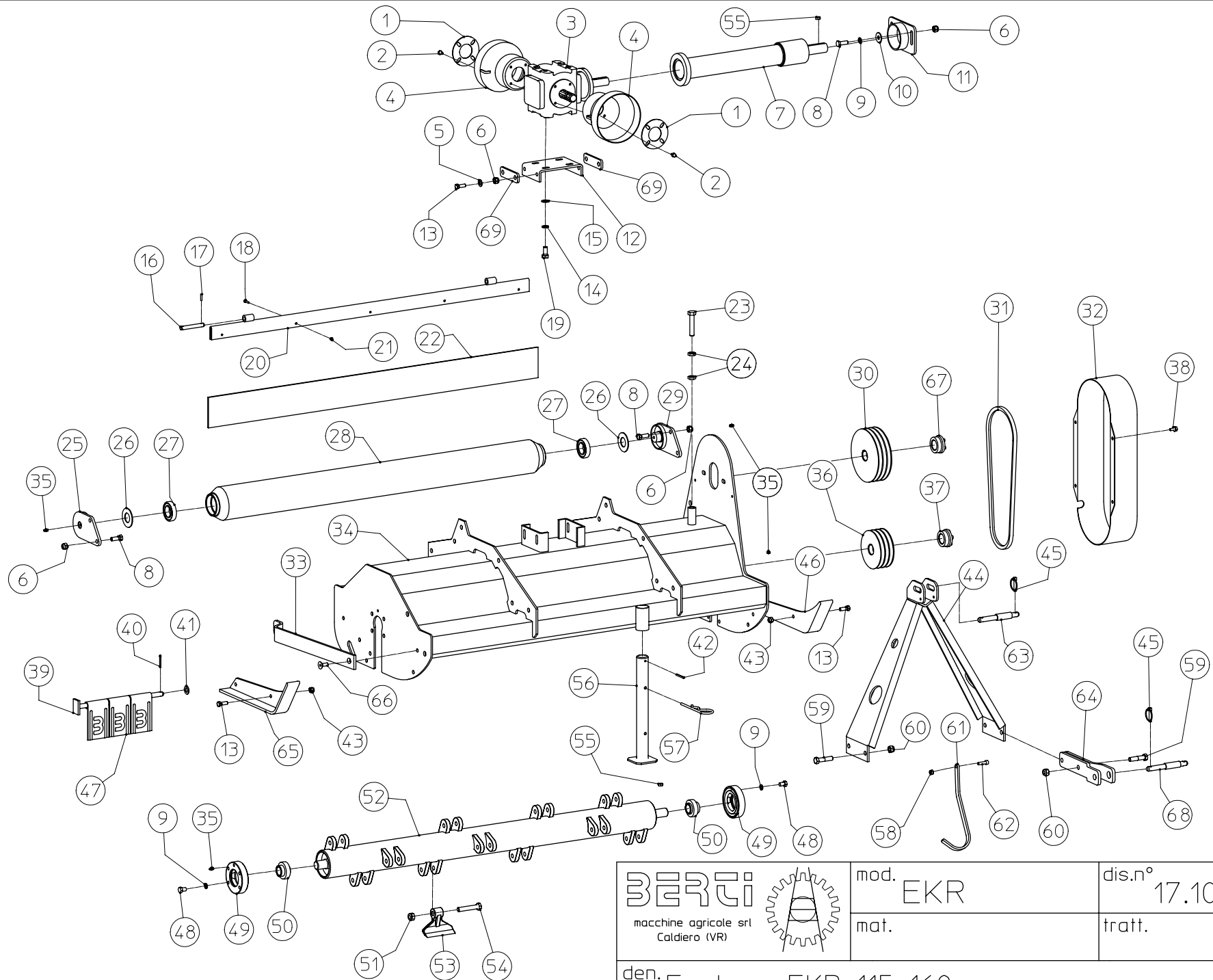





EKR

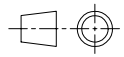
BERTI SPARE PARTS REFERENCE GUIDE





 macchine agricole srl Caldiero (VR)	mod. EKR	dis.n° 17.103
	mat.	tratt.
den. Esplosa EKR 115-160		
data 23/06/2005	dis. ANDREA	codice 17.103

© Le informazioni contenute nel presente documento sono di proprietà della BERTI MACCHINE AGRICOLE SRL e non possono essere riprodotte o trasmesse a terzi in alcun modo senza esplicita approvazione scritta della BERTI MACCHINE AGRICOLE SRL o di un suo rappresentante debitamente autorizzato.



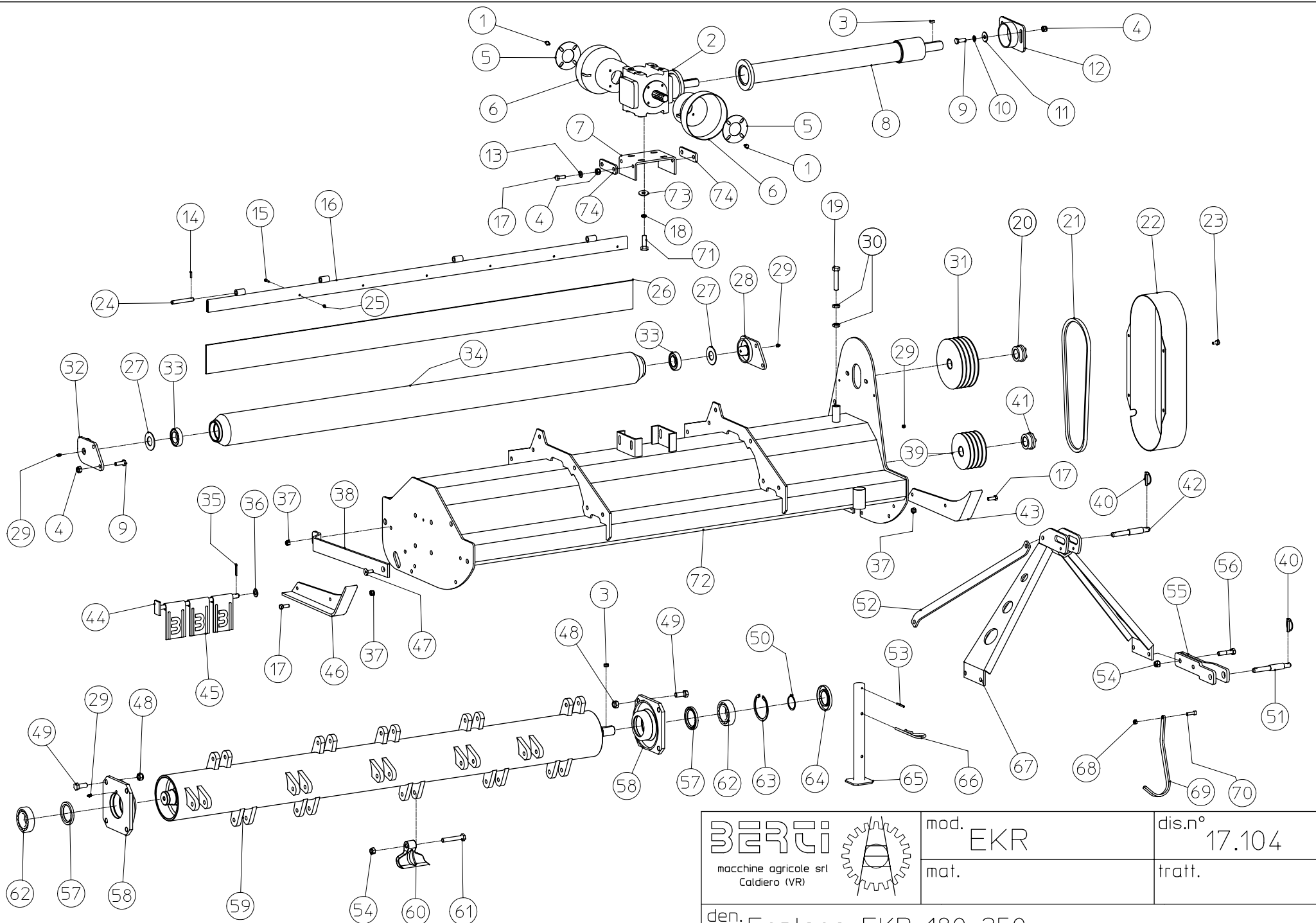
PARTS LIST:

Mod. EKR 115-160

fig. 17.103

BERTI Macchine Agricole S.P.A.

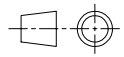
Pos.	DESCRIPTION	EKR 115	EKR 125	EKR 135	EKR 145	EKR 160
1	PLATE	FRZ/1338	FRZ/1338	FRZ/1338	FRZ/1338	FRZ/1338
2	BOLT, 10.9	V0801202TF109Z	V0801202TF109Z	V0801202TF109Z	V0801202TF109Z	V0801202TF109Z
3	GEARBOX	*	*	*	*	*
4	PTO CONE	CC004	CC004	CC004	CC004	CC004
5	WASHER	RP14XXFN	RP14XXFN	RP14XXFN	RP14XXFN	RP14XXFN
6	NUT M14 self-locking	DE14AL6SPGZAB	DE14AL6SPGZAB	DE14AL6SPGZAB	DE14AL6SPGZAB	DE14AL6SPGZAB
7	EXTENSION, complete	*	*	*	*	*
8	BOLT	V140402TF088N	V140402TF088N	V140402TF088N	V140402TF088N	V140402TF088N
9	WASHER	RG14XXARN	RG14XXARN	RG14XXARN	RG14XXARN	RG14XXARN
10	WASHER	RF1444FN	RF1444FN	RF1444FN	RF1444FN	RF1444FN
11	BELTS ADJUSTER	PT08/0459	PT08/0459	PT08/0459	PT08/0459	PT08/0459
12	SUPPORT FOR GEARBOX	PF/0365	PF/0365	PF/0365	PF/0365	PF/0365
13	BOLT	V120352TF088N	V120352TF088N	V120352TF088N	V120352TF088N	V120352TF088N
14	WASHER	RG16XXARN	RG16XXARN	RG16XXARN	RG16XXARN	RG16XXARN
15	WASHER	RP16XXFN	RP16XXFN	RP16XXFN	RP16XXFN	RP16XXFN
16	PIN	PE0150110	PE0150110	PE0150110	PE0150110	PE0150110
17	ELASTIC PIN	SE06026	SE06026	SE06026	SE06026	SE06026
18	BOLT	V060252TF088N	V060252TF088N	V060252TF088N	V060252TF088N	V060252TF088N
19	BOLT	V160352TF088N	V160352TF088N	V160352TF088N	V160352TF088N	V160352TF088N
20	HOLDER FOR RUBBER	PG1070/0285	PG1170/0285	PG1270/0285	PG1370/0285	PG1520/0285
21	NUT M6	DE06AL6SPGZ	DE06AL6SPGZ	DE06AL6SPGZ	DE06AL6SPGZ	DE06AL6SPGZ
22	RUBBER	LT06130L1150	LT06130L1250	LT06130L1350	LT06130L1450	LT06130L1600
23	BOLT	V180902TF088N	V180902TF088N	V180902TF088N	V180902TF088N	V180902TF088N
24	NUT M18	DE18BA6SPGN	DE18BA6SPGN	DE18BA6SPGN	DE18BA6SPGN	DE18BA6SPGN
25	RH ROLLER BRACKET	PR139DX/2205	PR139DX/2205	PR139DX/2205	PR139DX/2205	PR139DX/2205
26	WASHER FOR PROTECTION	RP4080	RP4080	RP4080	RP4080	RP4080
27	BEARING	003.12	003.12	003.12	003.12	003.12
28	LEVELING ROLLER	RL115/1293	RL125/1293	RL135/1293	RL145/1293	RL160/2225
29	LH ROLLER BRACKET	PR139SX/2205	PR139SX/2205	PR139SX/2205	PR139SX/2205	PR139SX/2205
30**	PULLEY	PG200G2V	PG200G3ML	PG200G3ML	PG200G3ML	PG200G3ML
31	BELT	993.16	993.16	993.16	993.16	993.16
32	COVER	CT/0818	CT/0818	CT/0818	CT/0818	CT/0818
33	PROTECTION	PL100600	PL100600	PL100600	PL100600	PL100600
34	CHASSIS	CCEKR115	CCEKR125	CCEKR135	CCEKR145	CCEKR160
35	GREASE NIPPLE	IN101XXDR	IN101XXDR	IN101XXDR	IN101XXDR	IN101XXDR
36**	PULLEY	PG150G2V	PG150G3	PG150G3	PG150G3	PG150G3
37	CENTRE LOCK	CA4065	CA4065	CA4065	CA4065	CA4065
38	BOLT, 10.9	V100162TF109Z	V100162TF109Z	V100162TF109Z	V100162TF109Z	V100162TF109Z
39	BAR FOR FLAPS	PE0181180	PE0181280	PE0181380	PE0181480	PE0181630
40	ELASTIC PIN	CF050060	CF050060	CF050060	CF050060	CF050060
41	WASHER	RP18XXFN	RP18XXFN	RP18XXFN	RP18XXFN	RP18XXFN
42	ELASTIC PIN	SE06060	SE06060	SE06060	SE06060	SE06060
43	NUT M12 self-locking	DE12AL6SPGZAB	DE12AL6SPGZAB	DE12AL6SPGZAB	DE12AL6SPGZAB	DE12AL6SPGZAB
44	A-FRAME	CT0685/0419	CT0685/0419	CT0685/0419	CT0685/0419	CT0685/0419
45	TRIPPING PIN	SSX10Z	SSX10Z	SSX10Z	SSX10Z	SSX10Z
46	LH SKID	SLSX/1492	SLSX/1492	SLSX/1492	SLSX/1492	SLSX/1492
47	FLAP	PA04/2217	PA04/2217	PA04/2217	PA04/2217	PA04/2217
48	BOLT	V140252TF088N	V140252TF088N	V140252TF088N	V140252TF088N	V140252TF088N



 macchine agricole srl Caldiero (VR)	mod. EKR	dis.n° 17.104
	mat.	tratt.

den. Esplso EKR 180-250		
data 23/06/2005	dis. ANDREA	codice 17.104

© Le informazioni contenute nel presente documento sono di proprietà della BERTI MACCHINE AGRICOLE SRL e non possono essere riprodotte o trasmesse a terzi in alcun modo senza esplicita approvazione scritta della BERTI MACCHINE AGRICOLE SRL o di un suo rappresentante debitamente autorizzato.



PARTS LIST:

Mod. EKR 180-250

fig. 17.104

BERTI Macchine Agricole S.P.A.

Pos.	DESCRIPTION	EKR 180	EKR 200	EKR 220	EKR 250		
1	BOLT, 10.9	V0801202TF109Z	V0801202TF109Z	V0801202TF109Z	V0801202TF109Z		
2	GEARBOX	*	*	*	*		
3	KEY 12x8x20	CH1208020	CH1208020	CH1208020	CH1208020		
4	NUT M14 self-locking	DE14AL6SPGZAB	DE14AL6SPGZAB	DE14AL6SPGZAB	DE14AL6SPGZAB		
5	PLATE	FR/1338	FR/1338	FR/1338	FR/1338		
6	PTO CONE	CC005	CC005	CC005	CC005		
7	SUPPORT FOR GEARBOX	PF/0366	PF/0366	PF/0366	PF/0366		
8	EXTENSION, complete	*	*	*	*		
9	BOLT	V140402TF088N	V140402TF088N	V140402TF088N	V140402TF088N		
10	WASHER	RG14XXARN	RG14XXARN	RG14XXARN	RG14XXARN		
11	WASHER	RF1442FN	RF1442FN	RF1442FN	RF1442FN		
12	BELTS ADJUSTER	PT08/0010	PT08/0010	PT08/0010	PT08/0010		
13	WASHER	RP14XXARN	RP14XXARN	RP14XXARN	RP14XXARN		
14	ELASTIC PIN	SE06026	SE06026	SE06026	SE06026		
15	BOLT	V060252TF088N	V060252TF088N	V060252TF088N	V060252TF088N		
16	HOLDER FOR RUBBER	PG1720/0285	PG1980/0285	PG2120/0285	PG2420/0285		
17	BOLT	V120352TF088N	V120352TF088N	V120352TF088N	V120352TF088N		
18	WASHER	RG16XXARN	RG16XXARN	RG16XXARN	RG16XXARN		
19	BOLT	V180902TF088N	V180902TF088N	V180902TF088N	V180902TF088N		
20	CENTRE LOCK	CA4065	CA4065	CA4065	CA4065		
21	BELT	993.02	993.02	993.02	993.02		
22	COVER	CT/0867	CT/0867	CT/0867	CT/0867		
23	BOLT, 10.9	V100162TF109Z	V100162TF109Z	V100162TF109Z	V100162TF109Z		
24	PIN	PE0150110	PE0150110	PE0150110	PE0150110		
25	NUT M6	DE06AL6SPGZ	DE06AL6SPGZ	DE06AL6SPGZ	DE06AL6SPGZ		
26	RUBBER	LT06130L1800	LT06130L2000	LT06130L2200	LT06130L2500		
27	WASHER FOR PROTECTION	RP4080	RP4080	RP4080	RP4080		
28	LH ROLLER BRACKET	PR139SX/2205	PR139SX/2205	PR139SX/2205	PR139SX/2205		
29	GREASE NIPPLE	IN101XXDR	IN101XXDR	IN101XXDR	IN101XXDR		
30	NUT M18	DE18BA6SPGN	DE18BA6SPGN	DE18BA6SPGN	DE18BA6SPGN		
31**	PULLEY	PG212G4	PG212G4	PG212G4	PG212G4		
32	RH ROLLER BRACKET	PR139DX/2205	PR139DX/2205	PR139DX/2205	PR139DX/2205		
33	BEARING	003.12	003.12	003.12	003.12		
34	LEVELING ROLLER	RL180/2225	RL200/2225	RL220/2225	RL250/2225		
35	ELASTIC PIN	CF050060	CF050060	CF050060	CF050060		
36	WASHER	RP18XXFN	RP18XXFN	RP18XXFN	RP18XXFN		
37	NUT M12 self-locking	DE12AL6SPGZAB	DE12AL6SPGZAB	DE12AL6SPGZAB	DE12AL6SPGZAB		
38	PROTECTION	PL100600	PL100600	PL100600	PL100600		
39**	PULLEY	PG150G4	PG150G4	PG150G4	PG150G4		
40	PIN	SSX10Z	SSX10Z	SSX10Z	SSX10Z		
41	CENTRE LOCK	CA4065	CA4065	CA4065	CA4065		
42	TOP LINK PIN	SP25190Z	SP25190Z	SP25190Z	SP25190Z		
43	LH SKID	SLSX/1492	SLSX/1492	SLSX/1492	SLSX/1492		
44	BAR FOR FLAPS	PE0181830	PE0182030	PE0182230	PE0182530		
45	FLAP	PA04/2217	PA04/2217	PA04/2217	PA04/2217		
46	RH SKID	SLDX/1492	SLDX/1492	SLDX/1492	SLDX/1492		
47	BOLT, 10.9	V120253TF109N	V120253TF109N	V120253TF109N	V120253TF109N		
48	NUT M18, self-locking	DE18AL6SPGZAB	DE18AL6SPGZAB	DE18AL6SPGZAB	DE18AL6SPGZAB		

